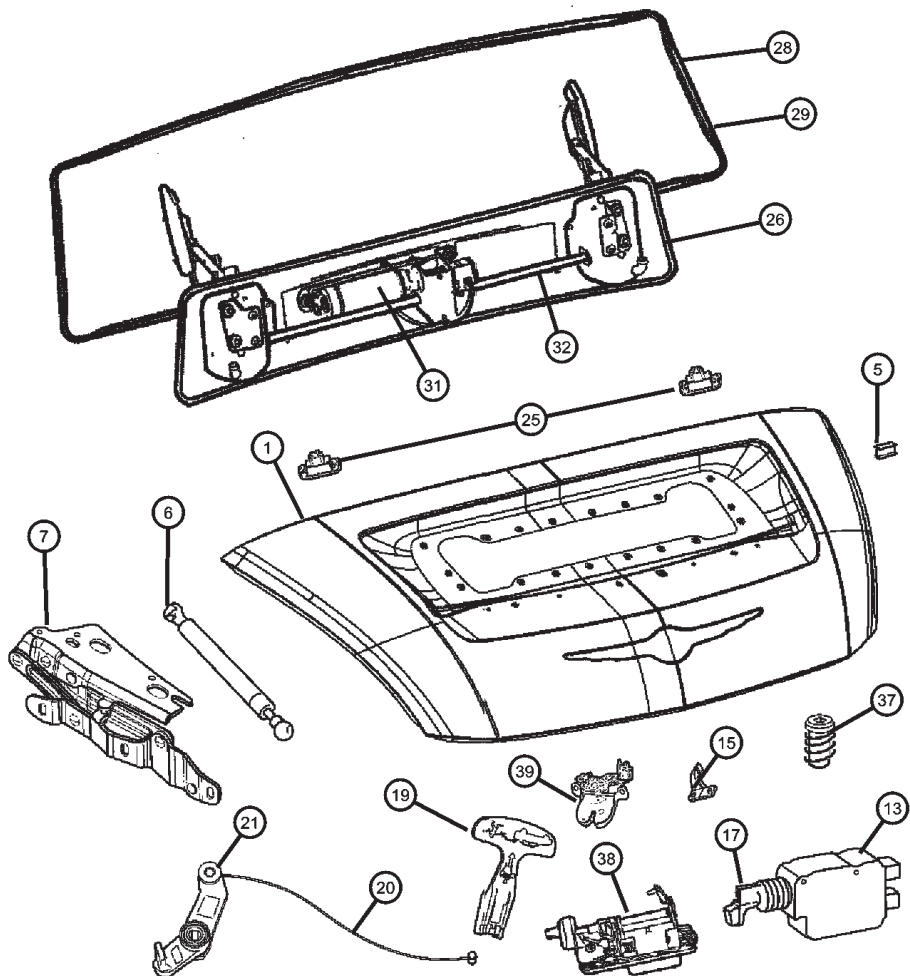


Decklid , Latch and Hinges - 27 Body
Figure SZH-1320



ITEM	PART NUMBER	QTY	LINE	SERIES	BODY	ENGINE	TRANS	TRIM	DESCRIPTION
-24	05104909AA	1	C, Z		27				REINFORCEMENT, Tailgate Striker
25	05099804AA	2	C, Z		27				LAMP, License Plate
26	05104932AA	1	C, Z		27				DRIVE, Spoiler
-27									COVER, Spoiler Drive Arm, Crossfire
	05127528AA	1	C, Z		27				Right
	05127529AA	1	C, Z		27				Left
28	05104929AA	1	C, Z		27				PANEL, Outer Spoiler, Crossfire, Motorized
29									SPOILER, SRT6/Fixed, Crossfire
	1BX70CBKAA	1	C, Z		27				[CBK]
	1BX70CY3AA	1	C, Z		27				[CY3]
	1BX70P41AA	1	C, Z		27				[P41]
	1BX70P61AA	1	C, Z		27				[P61]
	1BX70PDRAA	1	C, Z		27				[PDR]
	1BX70PRHAA	1	C, Z		27				[PRH]
	1BX70PS3AA	1	C, Z		27				[PS3]
-30									PLATE, Spoiler Base SRT6, Crossfire
	1BX71CBKAA	1	C, Z		27				[CBK]
	1BX71CY3AA	1	C, Z		27				[CY3]
	1BX71P41AA	1	C, Z		27				[P41]
	1BX71P61AA	1	C, Z		27				[P61]
	1BX71PDRAA	1	C, Z		27				[PDR]
	1BX71PRHAA	1	C, Z		27				[PRH]
	1BX71PS3AA	1	C, Z		27				[PS3]
31									DRIVE MOTOR, Motorized Spoiler, Crossfire
	05161797AA	4			27				
		4			29				
32									DRIVE SHAFT KIT, Motorized Spoiler, Crossfire
	05161796AA	4			29				
		4			27				
-33									PIN KIT, Spoiler Lock Pins, Crossfire
	05161800AA	4			29				

CROSSFIRE (ZH)
 SERIES LINE BODY ENGINE TRANSMISSION
 P = PREMIUM C = CHRYSLER 27 = 2-DR CONVERTIBLE EGX = 3.2L V6 SOHC 18 DED = 6-Speed Manual Transmission
 S = SPORT Z = CHRYSLER (RHD) 29 = SPECIALTY COUPE Valve Engine DGJ = 5-Speed Automatic MB
 X = SPECIAL Engine EGZ = 3.2L V6 Supercharged Transmission
 DGU = 5-Spd Auto W5A330
 Transmission

AR = use ase required - = Non illustrated part